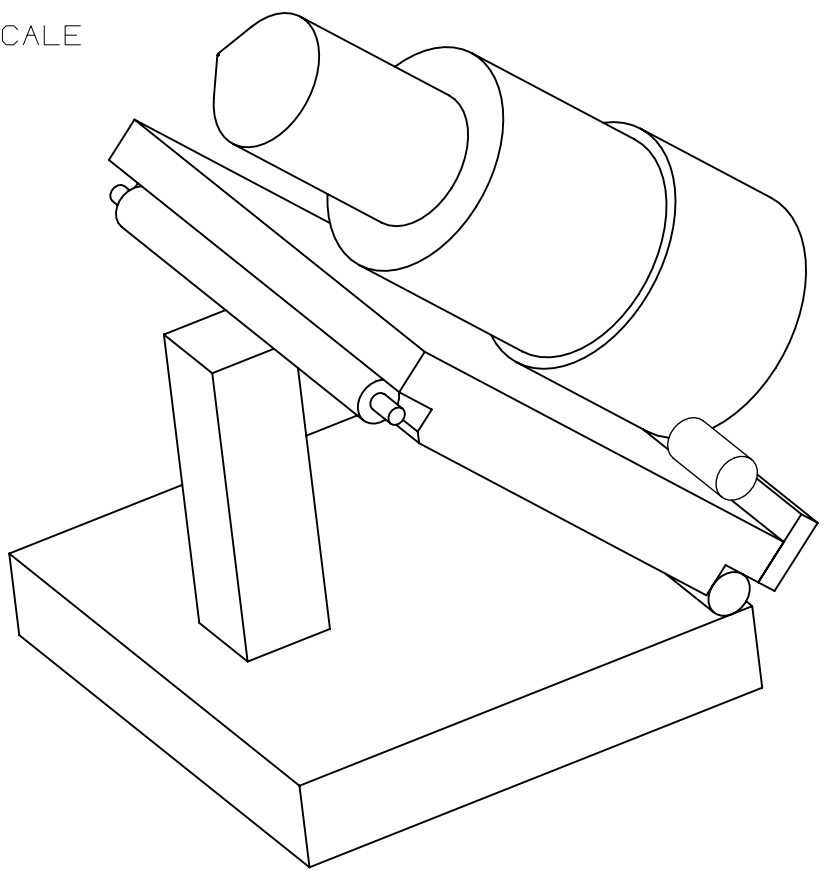


DETAIL B  
SCALE 4:1

HALF SCALE



RANDY HOUGH  
15MAR14

- A)  $TAN\ 45^\circ \times 7.5179 = 7.5179$
- B) DISTANCE FROM  $\phi$  TO END OF ANGLE = 0.0135
- C) HALF OF MAIN BODY  $2.7554/2 = 1.3777$
- D)  $A+B+C\ 7.5179 + 0.0135 + 1.3777 = 8.9091$
- SOLVE FOR E) \* DRAW A LINE TANGENT TO ROLL. (THIS LINE IS PARALLEL WITH THE ANGLE BEING MEASURED)
- \* DRAW A LINE FROM ROLL  $\phi$  TO POINT G. (THIS ALWAYS DIVIDES THE ANGLE IN HALF.  $45^\circ/2 = 22.5^\circ$ )
- \* SOLVE  $H = 0.2500 / 22.5\ TAN = 0.6035$
- \*  $E = H+I = 0.8536$
- SOLVE FOR J)  $D-E = J$
- SOLVE FOR K)  $COS\ 45^\circ \times J = ANSWER!$  ( $COS\ 45^\circ \times 8.0556 = 5.6961$ )